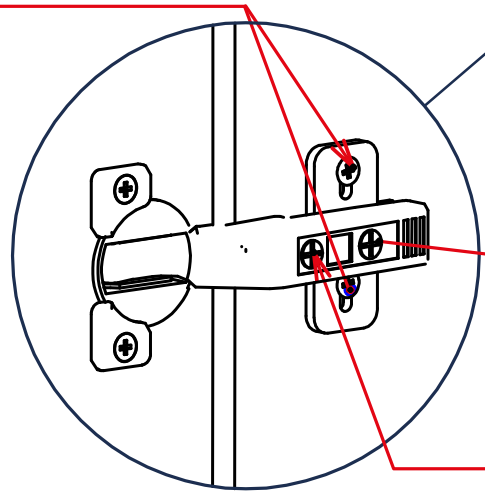
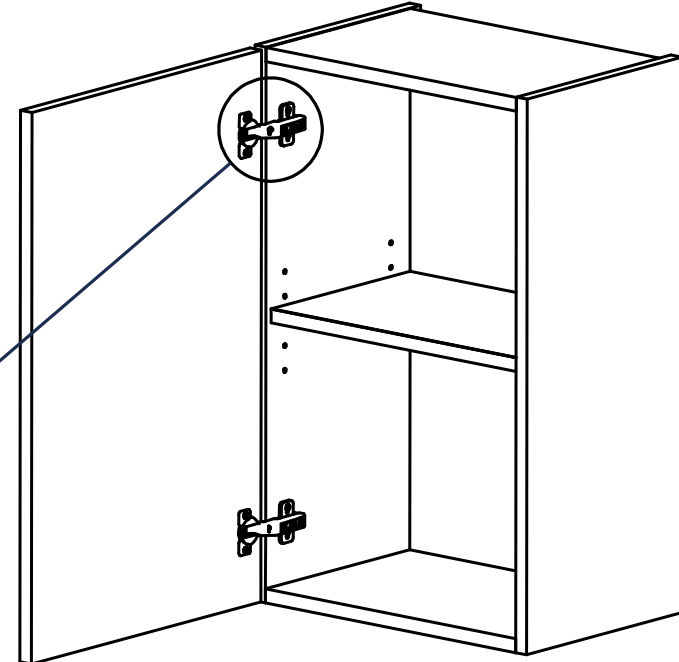
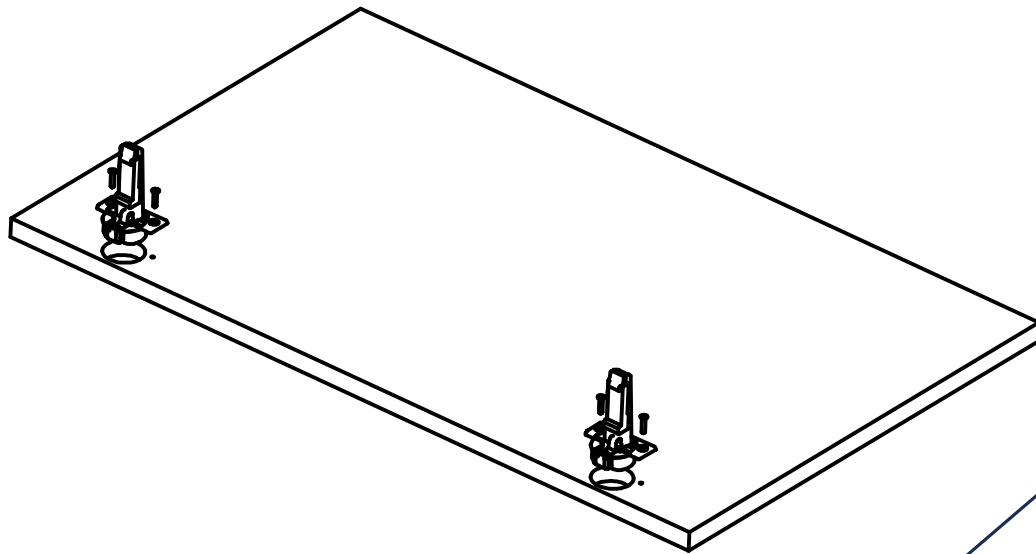


Up & down adjustment

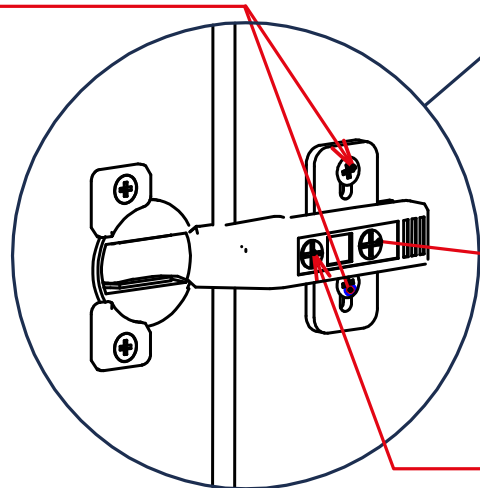


In & out adjustment

Right to left adjustment



Up & down adjustment



In & out adjustment

Right to left adjustment